

For more Project details visit:

<http://www.projectsof8051.com/ambulance-tracking-with-patient-health-monitoring-using-gps-and-gsm/>

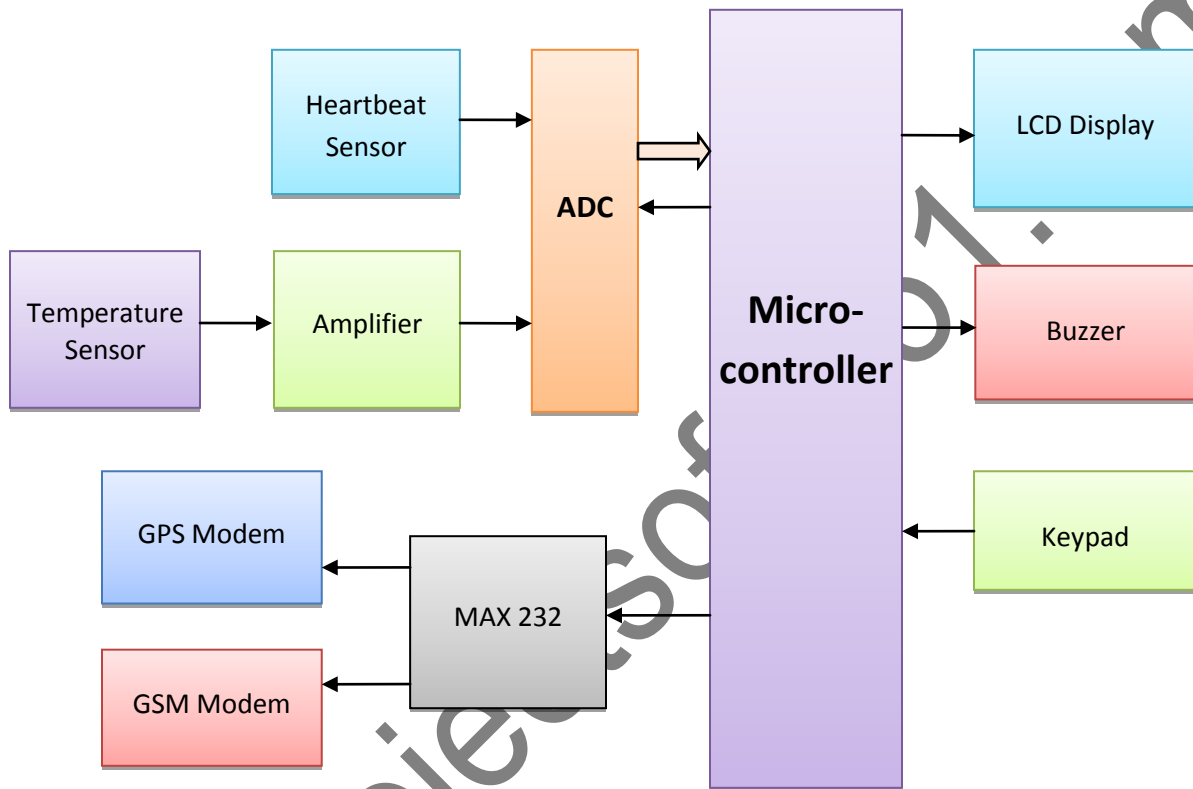
Code	Project Title
1840	Ambulance tracking with patient health monitoring system using GPS and GSM

Synopsis for Ambulance tracking with patient health monitoring system using GPS and GSM

Introduction:

In this project we get sms from project. SMS contains the longitude and latitude of the vehicle location. SMS also contains health parameters i.e. temperature, humidity and heartbeat. This sms is sent after periodic interval of time i.e. after every 2 minutes.

Block Diagram of Patient unit:



Unit in Ambulance

Message received at hospital:



Patient unit:

This unit is placed on the patient. It has mainly 4 parts:

- **Biomedical sensors**

To find health status of patient we are using body temp sensor and pulse rate sensor. These sensors will measure body temperature and the pulse rate of patient and will be stored in μ memory.

- **GPS Receiver and GSM Modem**

The GPS is used to log the longitude and the latitude of patient, which is stored in the μ memory.

The GSM unit sends the SMS to the army base camp containing the health parameters and the location of patient.

Base unit

SMS will be received at the base station. Upon receiving the SMS, the officer at the base station can find soldier's location on maps based by using the co-ordinates received on text sms. Also the health status is shown on mobile. In this way the army official's can keep a track of all their solders.

Hardware Requirement:

- 1) Micro Controller
- 2) GPS Receiver
- 3) Level Converter MAX 232
- 4) GSM Modem
- 5) Biomedical Sensors

Applications and Advantages:

1. No need to go on field.
2. Higher reliability.
3. Cost effective.
4. Fast and efficient.

Future Development:

1. We can dial an emergency call if the patient health parameters crosses threshold value or patient co-ordinates goes out of a certain / pre-decided track.

For more Project details visit:

<http://www.projectsof8051.com/ambulance-tracking-with-patient-health-monitoring-using-gps-and-gsm/>
